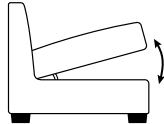
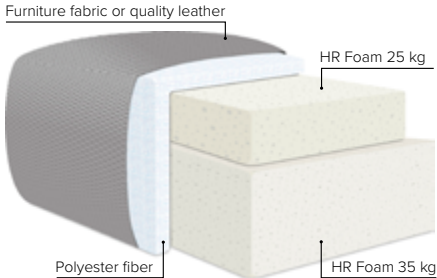


GOOD SLEEP SOFA

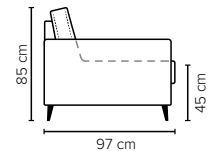
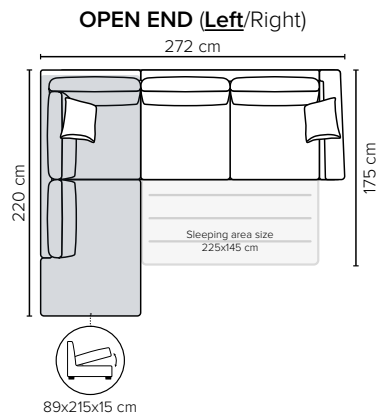
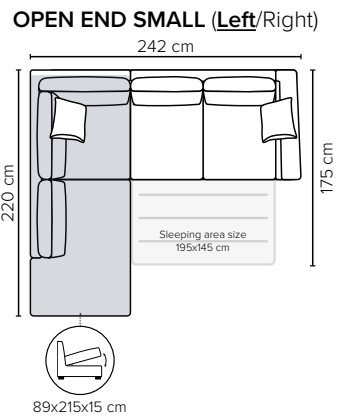
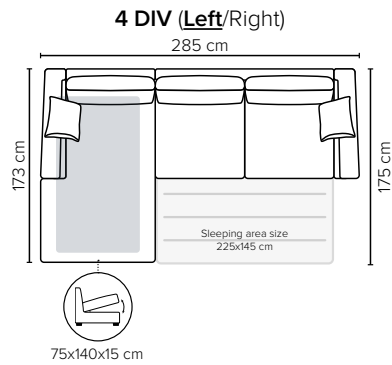
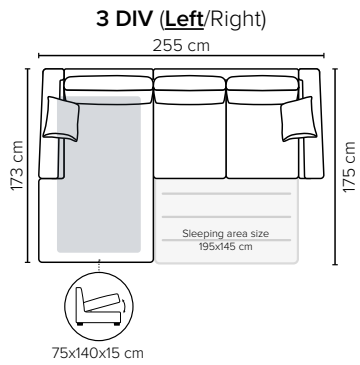


STORAGE POSSIBILITIES INSIDE

# COMBINATIONS

Choose from available sofa models

bellus®



- SEAT:** HR Foam 35 kg + HR foam 25 kg covered with 200 g fiber
- BACK:** Silicized polyester fiber, in separate bag that is in 3-channels  
Fixed seat cushions and loose back cushions

- ARMREST:** Foam 25-30 kg
- DECO PILLOWS:** 1 deco pillow per armrest size 40x40 cm  
1 deco pillow per corner size 40x40 cm
- FRAME:** Plywood + wood  
No-Sag springs
- LEG OPTIONS:** Standard: Leg 50 (wooden, h: 12 cm)

All measurements are approximate, +/- 3 cm. Sofa height measured with leg 50. Please visit [www.bellus.com](http://www.bellus.com) for the latest product versions.

