

DESIGNED BY HEIKKI TOROPAINEN

sofa bed **NICOLE**

This sofa will be a quick and affordable solution if your guests want to stay overnight.



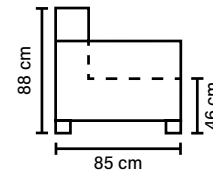
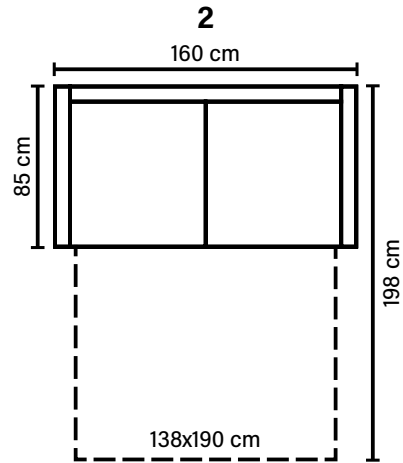
bellus®

A simple solution



COMBINATIONS

Choose from available sofa models.
All measurements are approximate.



www.bellus.com

SEAT

Foam E30 kg covered with 200 g fiber

BACK

Shredded foam mixed with siliconized polyester fiber

ARMREST

Foam 25-30 kg covered with 200 gr fiber

FRAME

Plywood + wood + furniture board

OPTIONAL

Top mattress 4 cm (fiberfilling 200g)

LEG OPTIONS



Standard leg: 1
wooden
height 11 cm



Available in fabrics

Wooden leg colors

